

Mixing Faucets – Cast Brass Deckmount

TECK®
COMMERCIAL

DELTA®

FEATURES:

- TECK® rigid/swivel gooseneck
 - unique design permits field installation as a rigid or swivel gooseneck
 - heavy-duty gooseneck made from seamless brass pipe
- Chrome-plated CAST BRASS BODY
- Two handle variations
 - 2 arm TECK® lab handle
 - ADA compliant 2 3/4" lever blade handle
- TECK® Lab structures
- C.P. renewable brass seats
- Two vacuum breaker variations
 - Angled atmospheric vacuum breaker. Brass construction with durable silicone disk allowing high heat and water hammer shock resistance.
 - Dual check in-line vacuum breaker resulting in an above average flow rate and consequently lower pressure loss



See next page for product details

MODEL NUMBER EXAMPLE:



Configurations vary, see below for availability.

W6720-9-R4C

Body/Turret
2 = 4" centers
4 = 8" centers

Outlet
Blank = serrated nozzle
9 = In-line vacuum breaker and serrated nozzle
10 = Angle vacuum breaker and serrated nozzle

C = 2.75" lever blade handle
R* = Optional gooseneck spout dimensions:
R4 = 6" long, 11.65" high

AVAILABLE MODELS	VARIATION/OUTLET						
	4" CENTERS			8" CENTERS			
	Gooseneck Spout with Serrated Nozzle 6" long, 14.85" high	Gooseneck Spout with In-line Vacuum Breaker and Serrated Nozzle 6" long, 14.85" high	Gooseneck Spout with Angle Vacuum Breaker and Serrated Nozzle 6" long, 13.5" high	Gooseneck Spout with Serrated Nozzle 6" long, 14.85" high	Gooseneck Spout with In-line Vacuum Breaker and Serrated Nozzle 6" long, 14.85" high	Gooseneck Spout with Angle Vacuum Breaker and Serrated Nozzle 6" long, 13.5" high	
HANDLE	 2 Arm Laboratory Handle	W6720	W6720-9	W6720-10	W6740	W6740-9	W6740-10
	 Lever Blade Handle 2.75" (70 mm)	W6720-C	W6720-9-C W6720-9-R4C	W6720-10-C	W6740-C	W6740-9-C	W6740-10-C

Not for potable water

Refer to www.specselect.com for individual models.

Note: Use this page front and back as a product submittal sheet.

Delta reserves the right (1) to make changes in specifications and materials, and (2) to change or discontinue models, both without notice or obligation. Dimensions are for reference only. See current full-line price book or www.specselect.com for finish options and product availability.

DSP-W6720 Rev. E

Mixing Faucets – Cast Brass Deckmount

TECK®
COMMERCIAL

DELTA

2 ARM LAB HANDLE PRODUCT

4" Centres

W6720

Deckmount mixing faucet with rigid/swivel gooseneck complete with 1/4" I.D. 10 serration nozzle, 1/2" NPS shanks, inlets at 102 mm (4") centres, chrome-plated CAST BRASS BODY, locknuts, lockwashers, 1/4" NPT tailpiece and coupling nuts, 2 arm lab handles, TECK® Lab structures, C.P. renewable brass seats

W6720-9

As W6720, but with in-line dual check vacuum breaker and nozzle

W6720-10

As W6720, but with angle vacuum breaker spout and nozzle

8" Centres

W6740

Deckmount mixing faucet with rigid/swivel gooseneck complete with 1/4" I.D. 10 serration nozzle, 1/2" NPS shanks, inlets at 203 mm (8") centres, chrome-plated CAST BRASS BODY, locknuts, lockwashers, 1/4" NPT tailpiece and coupling nuts, 2 arm lab handles, TECK® Lab structures, C.P. renewable brass seats

W6740-9

As W6740, but with in-line dual check vacuum breaker and nozzle

W6740-10

As W6740, but with angle vacuum breaker spout and nozzle



ADA COMPLIANT 2-3/4" LEVER BLADE HANDLE PRODUCT

4" Centres

W6720-C

Deckmount mixing faucet with rigid/swivel gooseneck complete with 1/4" I.D. 10 serration nozzle, 1/2" NPS shanks, inlets at 102 mm (4") centres, chrome-plated CAST BRASS BODY, locknuts, lockwashers, 1/4" NPT tailpiece and coupling nuts, ADA compliant 2-3/4" lever blade handles, TECK® Lab structures, C.P. renewable brass seats

W6720-9-C

As W6720, but with in-line dual check vacuum breaker and nozzle

W6720-10-C

As W6720, but with angle vacuum breaker spout and nozzle

8" Centres

W6740-C

Deckmount mixing faucet with rigid/swivel gooseneck complete with 1/4" I.D. 10 serration nozzle, 1/2" NPS shanks, inlets at 203 mm (8") centres, chrome-plated CAST BRASS BODY, locknuts, lockwashers, 1/4" NPT tailpiece and coupling nuts, ADA compliant 2-3/4" lever blade handles, TECK® Lab structures, C.P. renewable brass seats

W6740-9-C

As W6740, but with in-line dual check vacuum breaker and nozzle

W6740-10-C

As W6740, but with angle vacuum breaker spout and nozzle

Not for potable water

Refer to www.specselect.com for individual models.

Note: Use this page front and back as a product submittal sheet.

DSP-W6720 Rev. E

Delta reserves the right (1) to make changes in specifications and materials, and (2) to change or discontinue models, both without notice or obligation. Dimensions are for reference only. See current full-line price book or www.specselect.com for finish options and product availability.

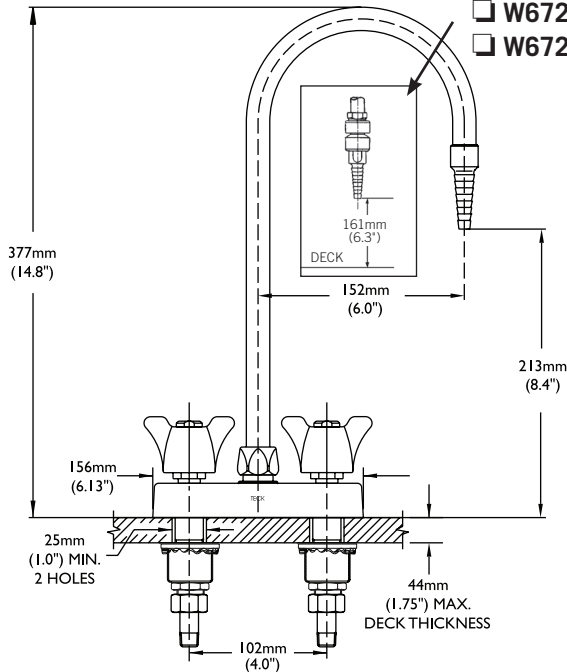
Mixing Faucets – Cast Brass Deckmount

TECK
COMMERCIAL

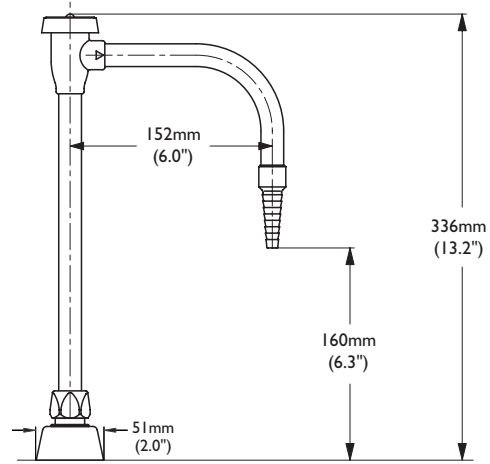
DELTA

- **W6720** (2 Arm – shown)
- **W6720-C** (Lever)

- **W6720-9** (2 Arm)
- **W6720-9-C** (Lever)

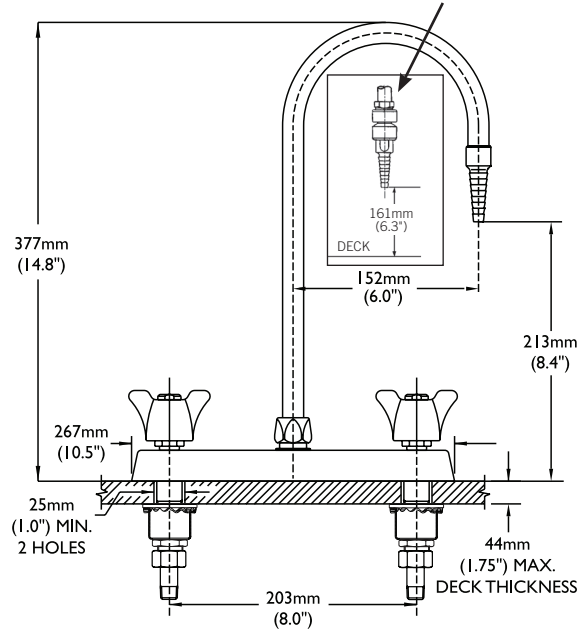


- **W6720-10**
- **W6740-10**



- **W6740** (2 Arm – shown)
- **W6740-C** (Lever)

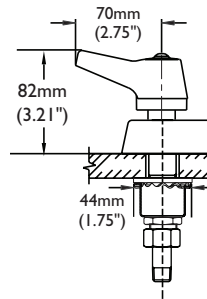
- **W6740-9** (2 Arm)
- **W6740-9-C** (Lever)



Faucet Inlets:

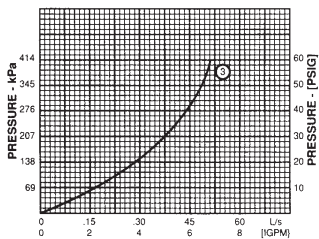
For 3/8" or 1/2" flexible riser
or 1/2"-14 NPSM Coupling Nut (Supplied)
or 1/4" MIP Tail (Supplied)

2-3/4" LEVER BLADE HANDLE



Not for potable water.

WATER FLOW



FLOW RATE - L/s (IGPM)
FOR:
3 - Compression valves with 6.4mm (1/4") nozzles

FOR OPTIONAL RIGID/SWIVEL SPOUTS

See **DSP-LABSP**Opt for detailed specification.

Approvals and Standards Met:

- CSA certified. Complies to ASME A112.18.1/CSA B125.1
- Indicates compliance to ICC/ANSI A117.1 when 2-3/4" lever blade handle is used

In-line VB tested and approved in conformance with ASSE 1035 "Laboratory Faucet Vacuum Breakers".

CSA certified to B64.7

Angle VB tested and approved in conformance with ASSE 1001 and CSA B64.1.1

Refer to www.specselect.com for individual models.

Note: Use this page front and back as a product submittal sheet.

Delta reserves the right (1) to make changes in specifications and materials, and (2) to change or discontinue models, both without notice or obligation. Dimensions are for reference only. See current full-line price book or www.specselect.com for finish options and product availability.

DSP-W6720 Rev. E